

WARRANTY CLAIM

To claim a warranty for your product, fill out and send in the form below. An authorized ROSKI MARINE representative will examine the documents you submit, and contact you within thirty (30) days of the submission date.

This form and other required documents should be sent to: warranty@outsider-sailboat.com

Last name (*)

First name (*)

--	--

Email (*)

--

Telephone (*)

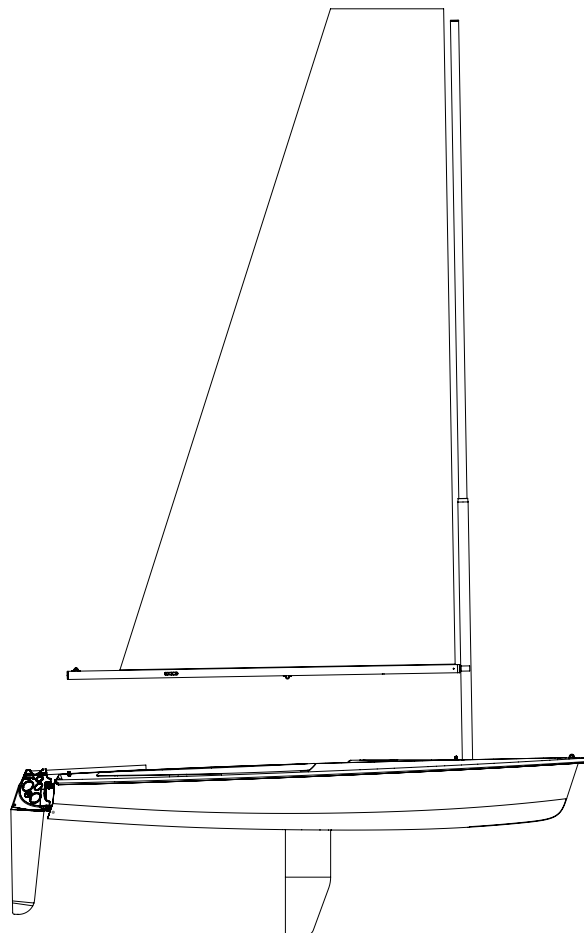
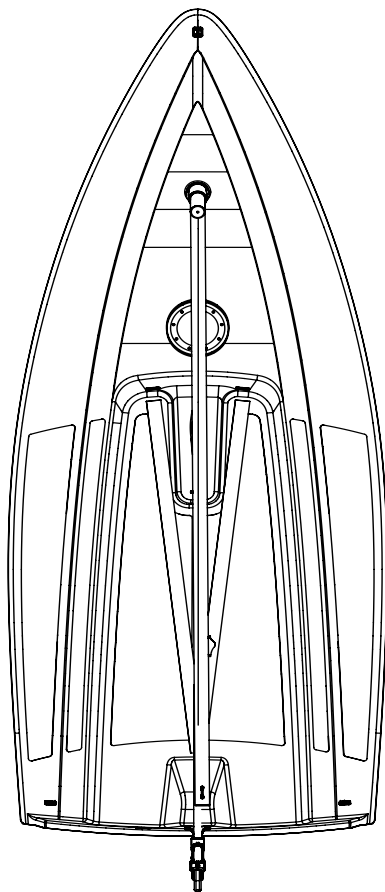
--

Product serial number (*)

--

TYPE OF DAMAGE

Circle, on the outlines, the part where is located the damage of your product. Then, please provide details in the “Additional Information” section found at the bottom of the form.



PHOTOS OF DAMAGE (*)

Please attach photos of the damage your product has incurred.

ORIGINAL INVOICE (*)

Please attach a copy of the original invoice for the product.

GUARANTEE ASSIGNMENT

• Is there a guarantee assignment (transfer of guarantee) on this product?

yes	no
-----	----

If you answered “yes”, please attach a copy of the filled-out Guarantee Assignment agreement.

ADDITIONAL INFORMATION

(*) All fields marked with an asterisk are required.

